

Welcome!

We greatly appreciate your purchase of the CNK221/231/321 Cable-Nook Jr. Interconnect Box. We are sure you will find it reliable and simple to use. Superior performance for the right price, backed by solid technical and customer support is what ALTINEX has to offer.

We are committed to providing our customers with Signal Management Solutions[®] to the most demanding audiovisual installations at competitive pricing and we welcome you to join the ranks of our many satisfied customers throughout the world.

1. Precautions and Safety Warnings

Please read this manual carefully before using your Tabletop Cable-Nook Jr. Interconnect Box. Keep this manual handy for future reference. These safety instructions are to ensure the long life of your Cable-Nook Jr. and to prevent fire and shock hazard. Please read them carefully and heed all warnings.

1.1 General

- Qualified ALTINEX service personnel, or their authorized representatives must perform all service

1.2 Installation Precautions

- For best results, place the Tabletop Cable-Nook Jr. Interconnect Box in a dry area away from dust and moisture.
- To prevent fire or shock, do not expose this unit to water or moisture. Do not place the Tabletop Cable-Nook Jr. Interconnect Box in direct sunlight, near heaters or heat-radiating appliances, or near any liquid. Exposure to direct sunlight, smoke, or steam can harm internal components.
- Handle the Cable-Nook Jr. carefully. Never lay the Cable-Nook Jr. on the thin bezel lip. Dropping, jarring or striking the bezel may damage it.
- Never place fingers inside the openings in the sides of the unit or along the bezel edges. The sharp edges may cause serious injury.
- Tabletop cutout dimensions and templates can be obtained from the ALTINEX website at www.altinex.com.

2. Installation Procedures

Step 1. Cut an opening in the table's surface. Refer to www.altinex.com for table cutout dimensions and templates. The tabletop thickness must be 3 in [76 mm] or less.

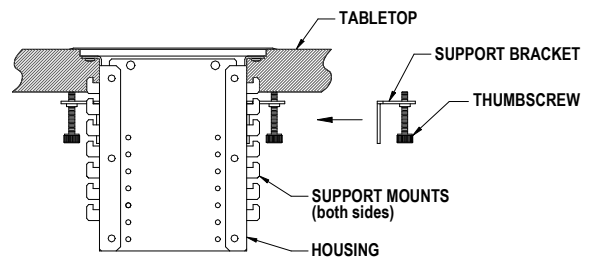
Always confirm dimensions before cutting the table to ensure that the specifications have not changed.

Step 2. Adjust the bracket mounts inside the unit to suit your needs.

CAUTION! Do not handle the unit by the bezel's thin lip or lay it on its side on the lip. The thin bezel lip is very sharp and can be easily dented or bent. Handle the unit by the housing portion only.

Remove the two screws securing each bracket to the interior housing if necessary to place them at the level that you require using the holes on the side of the housing. Replace the screws on each bracket mount after making sure that they are at exactly the same level.

Step 3. Insert the Cable-Nook Jr. unit into the tabletop cutout. Place a mounting bracket with the thumbscrew installed into the support mounts on each side of the housing as shown. With the mounting brackets installed, turn the thumbscrews until the ends of the screws begin to push against the bottom of the table. Tighten the screws until the unit is secure. Do not over-tighten.



1.3 Cleaning

- Surfaces should be cleaned with a dry cloth. Never use strong detergents or solvents, such as alcohol or thinner. Do not use a wet cloth or water to clean the unit.

1.4 FCC Notice

- This device complies with Part 15 of the FCC Rules. Operation is subject to the following two conditions: (1) This device may not cause harmful interference, and (2) this device must accept any interference received, including interference that may cause undesired operation.
- This equipment has been tested and found to comply with the limits for a Class A digital device, pursuant to Part 15 of the FCC Rules. These limits are designed to provide reasonable protection against harmful interference when the equipment is operated in a commercial environment. This equipment generates, uses, and can radiate radio frequency energy and, if not installed and used in accordance with the instructions found herein, may cause harmful interference to radio communications. Operation of this equipment in a residential area is likely to cause harmful interference in which case the user will be required to correct the interference at his own expense.
- Any changes or modifications to the unit not expressly approved by ALTINEX, Inc. could void the user's authority to operate the equipment.

3. Limited Warranty/Return Policies

Please see the ALTINEX website at www.altinex.com for details on warranty and return policies.

4. Technical Specifications

Specifications are subject to change. See www.altinex.com for up-to-date information.

Features/Description	CNK221/CNK231
Maximum Table Thickness	3.0 in (76 mm)
Bezel Width	4.6 in (117 mm)
Bezel Depth	4.9 in (124 mm)
Bezel Dia. (CNK231)	5.8 in (146 mm)
Height (above surface)	2.7 in (67 mm)
Height (below surface)	4.8 in (121 mm)
Standard Finish	Matte Black
T° Operating	10°C-35°C
T° Maximum	50°C
Humidity	90% non-condensing

Table 1. Cable-Nook Jr. Mechanical

Features/Description	CNK321
Maximum Table Thickness	3.0 in (76 mm)
Bezel Width	5.4 in (137 mm)
Bezel Depth	4.9 in (124 mm)
Height (above surface)	2.7 in (67 mm)
Height (below surface)	4.8 in (121 mm)
Standard Finish	Matte Black
T° Operating	10°C-35°C
T° Maximum	50°C
Humidity	90% non-condensing

Table 2. Cable-Nook Jr. with Display Select Mechanical

5. About Your Cable-Nook Jr.

CNK221/231/321

The Tabletop Cable-Nook Jr. Interconnect Box is designed for installation into a conference room or boardroom table. The Cable-Nook Jr. provides a means of connecting audio, video, and other multimedia sources into a presentation system. It is ideal for use with ALTINEX computer video interfaces or distribution amplifiers.

The Tabletop Cable-Nook Jr. Interconnect Box provides a simple yet effective way of storing and hiding cables, eliminating the obstruction. The cables can remain connected to a presentation system, enabling the user to connect them to different media sources needed for a presentation. After the presentation, the cables may be returned to the Cable-Nook Jr. for safe storage.

The Tabletop Cable-Nook Jr. Interconnect Box is designed for use with tabletops up to three inches thick. Optional insert plates are available to secure the cable ends or to add connections for a variety of multimedia and power cables. The insert plates can be adjusted to fit a variety of cable sizes. The height of the insert plates can also be adjusted by changing the height of the interior bracket mounts in the Cable-Nook Jr.

CNK321 with Display Select

Mounted into the bezel of the CNK321 is a two-button display selector. This display selection feature is specifically designed to control the ALTINEX UT250-101 Under-Table VGA + Stereo 8 X 4 Auto-switcher making presentations simple and easy to use.

Each CNK321 user can select which display will receive their laptop image. The user can select output 1, 2, or both displays.

The combination of CNK321 with UT250-101 provides an exceptional collaborative presentation environment where up to 8 individuals can present ideas and data using a single set of shared LCD panels or other display devices.



6. Application Diagrams

Diagram 1: Typical Setup CNK321

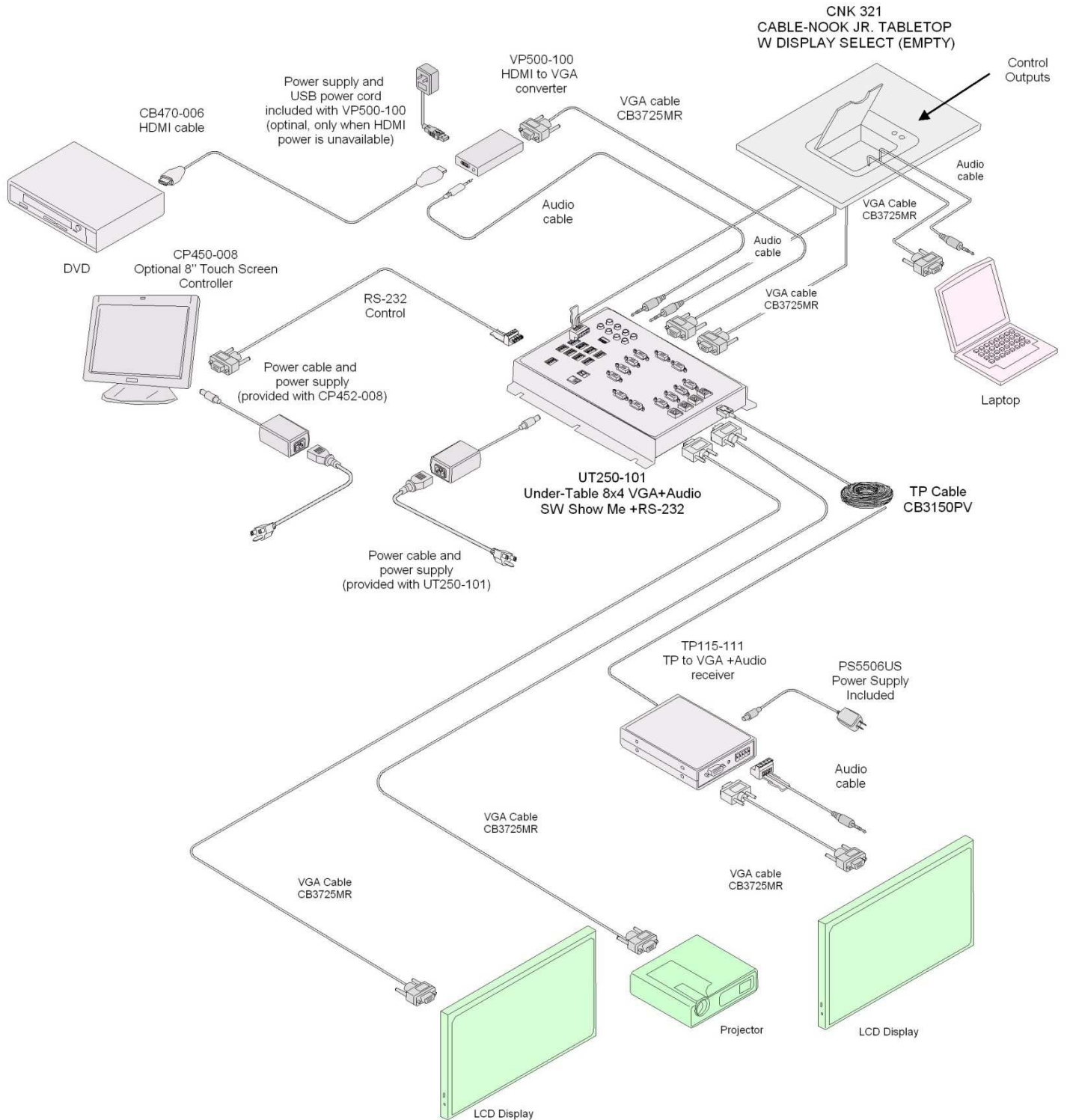
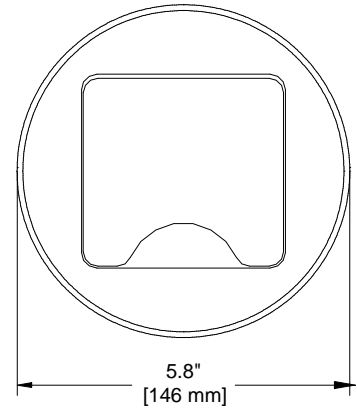
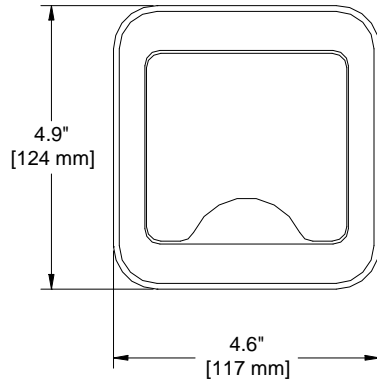
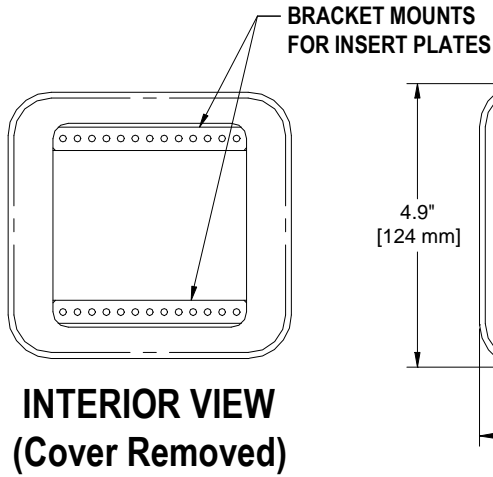
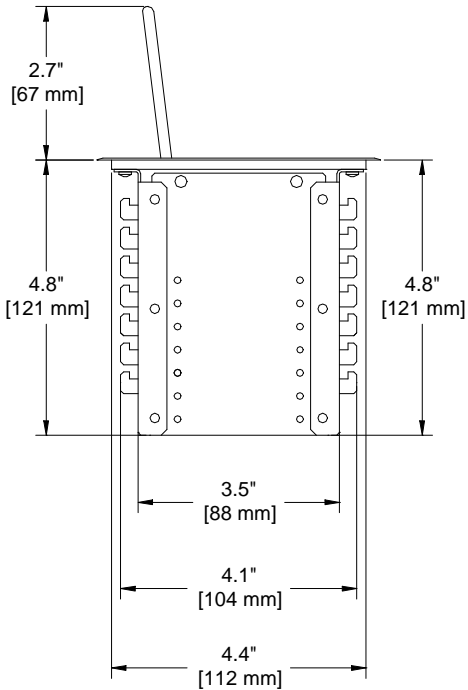


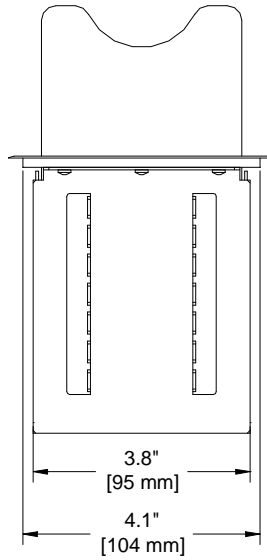
Diagram 2: Dimensions for CNK221 and CNK231



SIDE VIEW



**CNK221
Dimensions**



**CNK231
Dimensions**

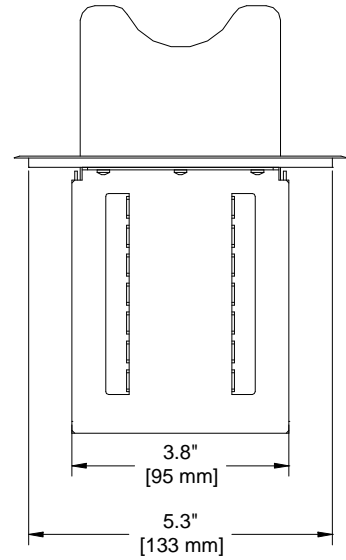
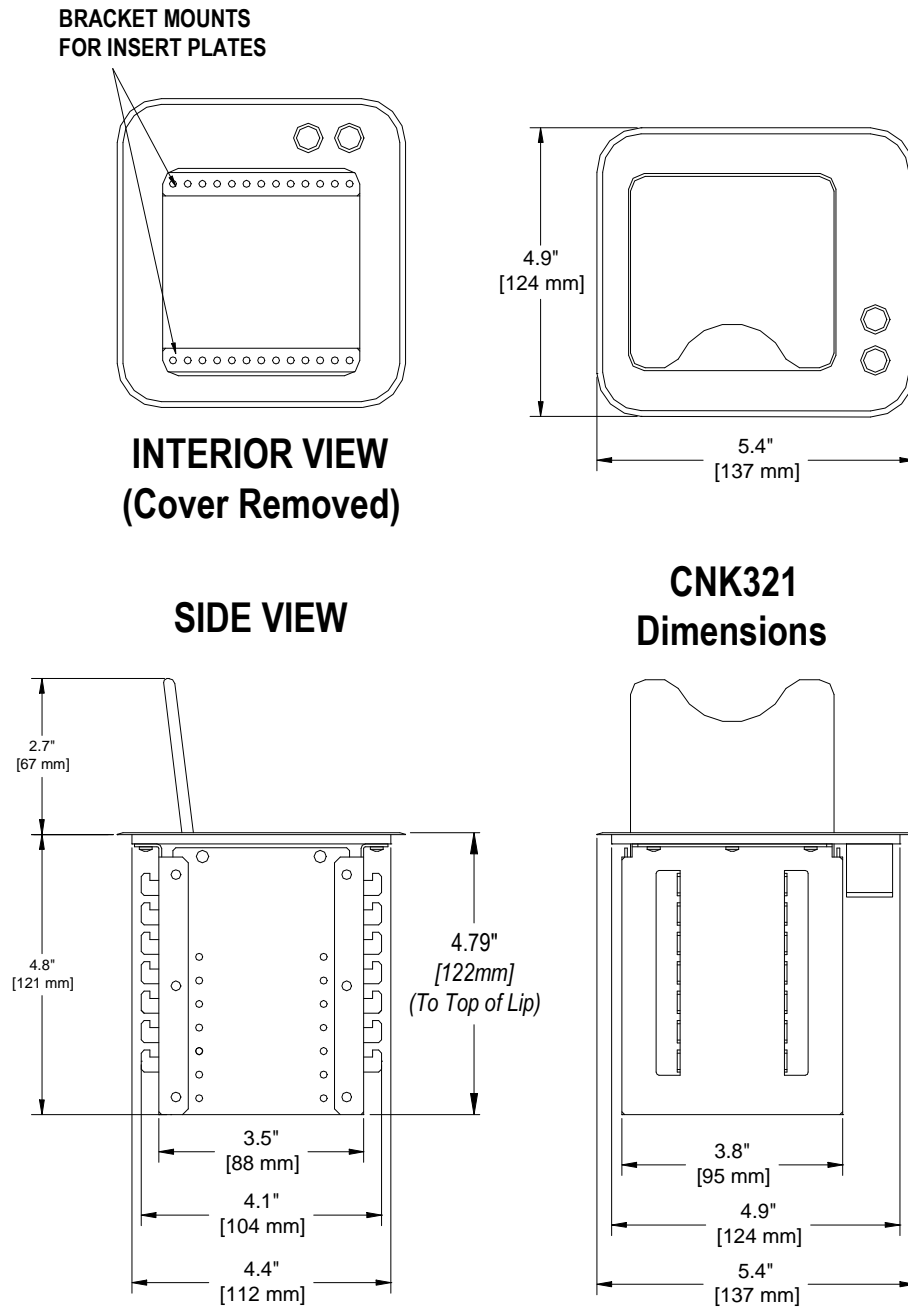


Diagram 3: Dimensions for CNK321



7. Operation

7.1 Opening and Closing the Cable Nook Jr.

Lift the Cable-Nook Jr.'s cover to install or route cables. If the cables need to be connected while the lid is closed, route the cables through the open space in the front of the lid. Unconnected cables may be stored inside the Cable-Nook Jr. until they are needed.

7.2 Power/Signal Connections

Connect external devices to the appropriate cable from the Cable Nook Jr. Remember, the devices plugged into the AC power connectors should not draw more than 5A AC.

CNK321 ONLY

7.3 Output/Display Select

Connect the Display Select cable with terminal block connector to the input of the UT250-101 Under-Table Switcher.

The UT250-101 can be configured for various modes of operations. The output select buttons behave differently depending on the precise configuration. In the default configuration, the output select buttons have the following behavior:

CNK321 with No Video Signal Applied:

Pressing either output select button "wakes up" the system up, turns on the display, and then directs the video from Input 8 to all outputs. Input 8 is typically used for a logo, screensaver, or demonstration video.

CNK321 with Video Signal Applied:

As soon as the UT250-101 detects a video signal, the system "wakes up", turns on the display, and switches Input 8 to all outputs. Input 8 is typically used for a logo, screensaver, or demonstration video.

Press Output Select 1 button to direct the audio and video from the CNK321 to Outputs 1A and 1B. Press the Output Select 1 button a second time while its LED is on to switch the input from the CNK321 to Input 8 on the UT250-101. Output Select 2 operates the same except it directs the audio and video to Outputs 2A and 2B.

8. Troubleshooting Guide

Warning: Make sure that no cable or power cord is damaged or pinched. If there has been damage, do not use the Cable Nook Jr. Please call the ALTINEX Customer Service Department at (714) 990-2300 to have the unit repaired.

The Cable Nook Jr. supplied was carefully tested and no problems were detected. However, we would like to offer the following suggestions:

CNK321	
Symptom	Resolution
No Display on Projector or Monitor	<ol style="list-style-type: none"> 1. Check the source and make sure there is a signal present. 2. Make sure the projector has power and is turned on. If the projector power is controlled by the switcher through RS-232 control, make sure the cables are connected and the correct codes have been selected. 3. Make sure the correct input is selected at the CNK321.
Poor Output Image	<ol style="list-style-type: none"> 1. The source resolution may not be compatible with the projector or other display device. Try other resolutions from the source. 2. The source and display may not be compatible. Connect the source directly to the input of the projector or other display device. If the image is poor the devices may be incompatible. 3. Use high-quality cables, especially if making long cable runs. Cable quality does affect image quality.
No Sound	<ol style="list-style-type: none"> 1. Make sure the amplifier or speakers are connected to the speaker output on the switcher. 2. Make sure an input is selected and that the input has audio playing. 3. The output audio plays the audio from the last selected source. Make sure the last selected source has audio playing. 4. Increase the source volume. 5. Some audio sources require amplification to be heard on overhead speakers. Check the audio level and make sure the source level is compatible with the speakers.